

IN-CEILING LOUDSPEAKERS



OWNER'S MANUAL AND WARRANTY

IC-5T AND IC-6T

Thank you for purchasing Klipsch IC-5T and IC-6T in-ceiling speakers.

The IC-5T and IC-6T in-ceiling speakers have been designed for speech and music reinforcement applications. Unobtrusive, these loudspeakers are engineered for easy, versatile installation.

The IC-5T and IC-6T feature an internal transformer for 70.7V/100V distributed-line systems. The transformer taps are selected using a rotary switch located conveniently under the grille. For applications where 16 ohm operation is required, the transformer can be by-passed by using an optional connection located on the back input terminal.

Before installing your speakers, take a moment to check the contents of the cartons and make sure nothing has been damaged in transit.

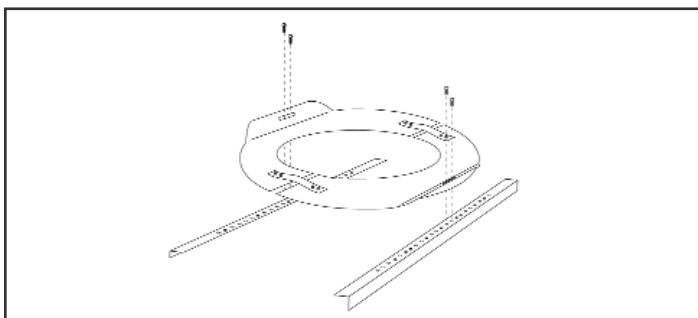
Contents Description	QUANTITY
Speaker Modules	2
Grilles	2
Reinforcement Ring	2
Rails	4
Cardboard Cutout Template and Paint Mask	1
Screws (Attach Rails to Reinforcement Ring)	4
$\frac{3}{8}$ " Adapter Fittings	2
$\frac{1}{2}$ " Adapter Fittings	2

Installation Guidelines

The IC-5T and IC-6T include a tilebridge for use when installing the loudspeaker into suspended ceilings or wherever additional reinforcement of the ceiling material is required. The tilebridge and loudspeaker are designed such that installation may be accomplished where access above the ceiling is not possible or may be difficult.

Installation

1. The tilebridge is composed of three parts—a reinforcement ring and two rails. The two rails should be attached to the reinforcement ring using the two included screws as shown below.

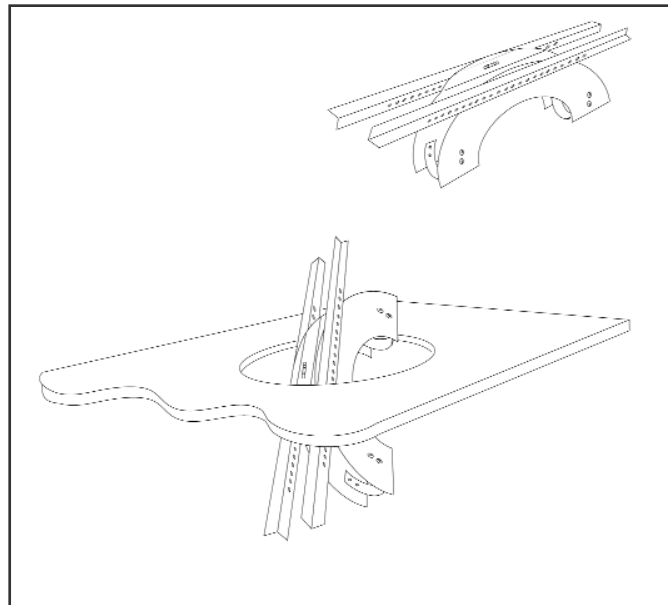


Caution: Be sure to comply with any and all building codes in your area.

2. To install your IC-5T or IC-6T, cut out a hole in the ceiling using either the cardboard cutout template provided with your speakers or consult the measurements below. Pull wiring through hole.

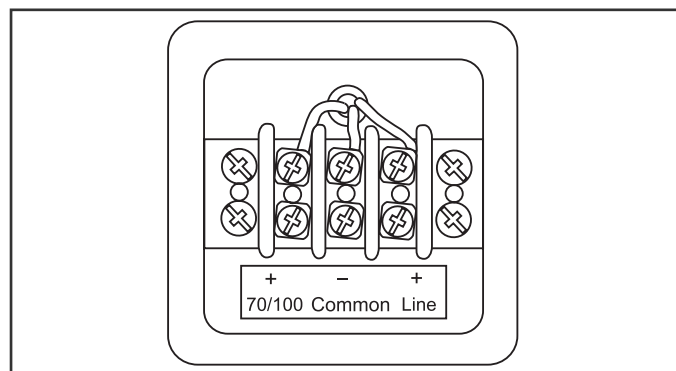
IC-5T	8.25"
IC-6T	9.75"

3. To install the tilebridge, fold the rail side of the ring back upon itself using the spring tensioner on the reinforcement ring to allow insertion into the cutout hole. Once it is inserted into the cutout hole, release the reinforcement ring such that it unfolds back to its normal position. Position tilebridge over cutout hole, and ensure that the tile rails rest on the t-grid struts.

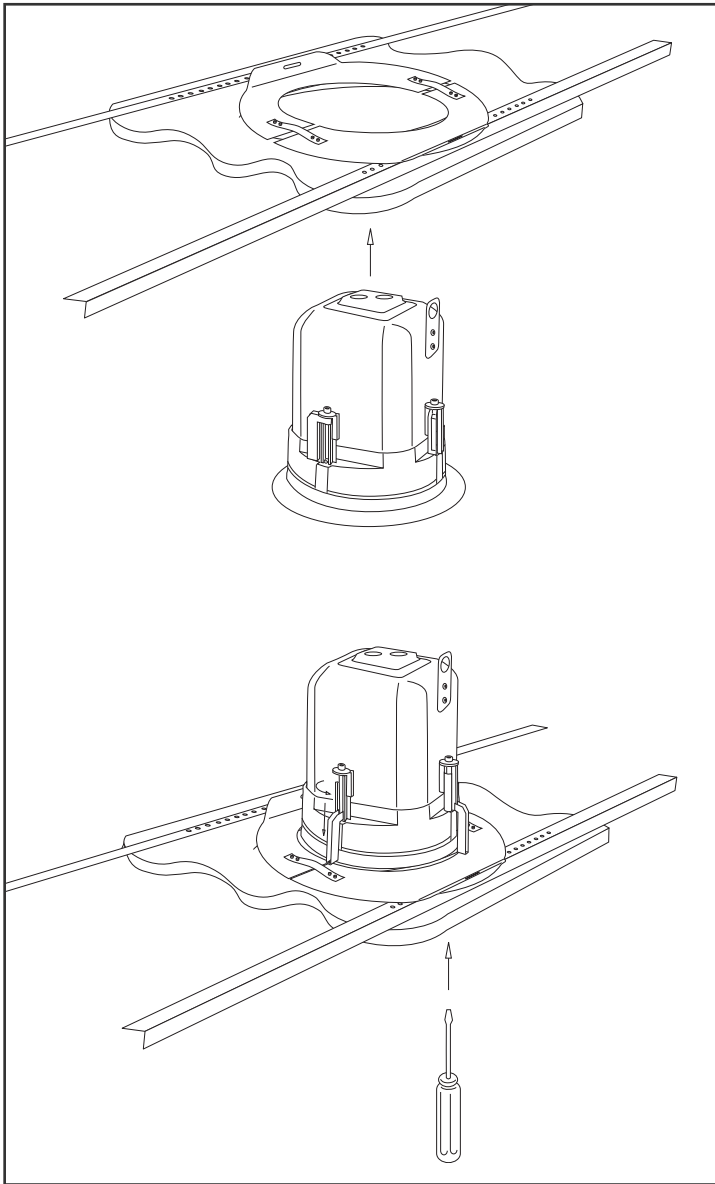


4. The wiring compartment is intended as a termination point for the audio circuit. Access to this compartment is gained by removing the terminal cover located on the back of the speaker. The terminal cover will accept the appropriate conduit/wire adaptor (provided). Feed wires through conduit/wire adaptor and strip the insulation back approximately $\frac{3}{16}$ ". Connect the wires to the appropriate input terminal. Be sure to observe proper polarity. Replace the terminal cover and tighten the conduit/wire adaptor to secure the wire.

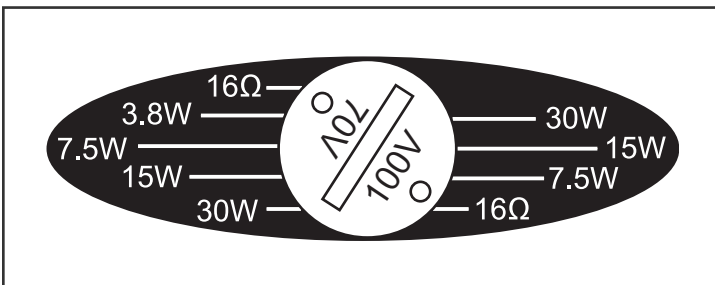
Caution: When connecting 70V or 100V distributed line systems, take care to ensure proper terminal connection. Connection to the low impedance terminal could result in speaker damage, amplifier damage, or both.



5. Insert the speaker into the cutout hole. With a #2 Phillips screwdriver, tighten the four dog clamps until they are seated securely against the ceiling surface. Do not overtighten.

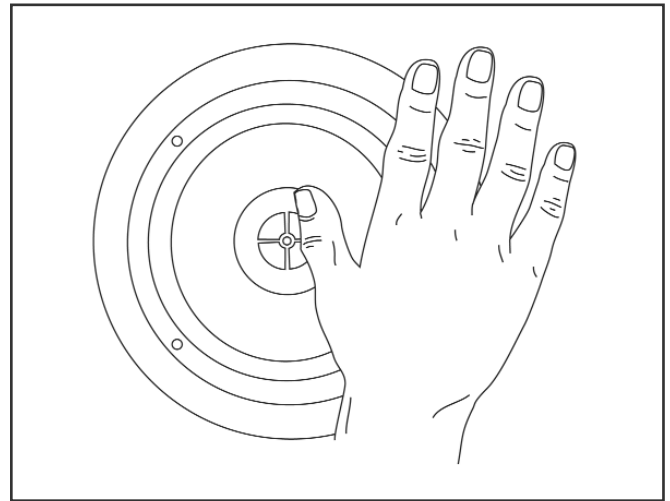


6. For installations using the 70/100V input connection, set the switch on the front panel to the desired tap setting. For applications where 16 Ohm impedance is desired, the switch should be set to 16 Ohms. Note: The speaker comes from the factory set at the lowest output setting (highest impedance).



IC-5T Transformer tap selectable

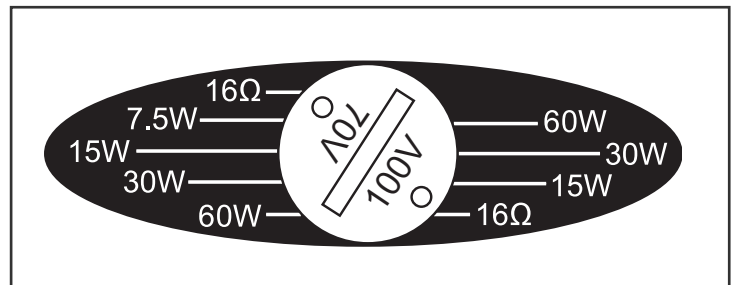
7. The IC-5T and IC-6T feature a ±15 degree swivel tweeter to aim high frequency sound to a desired location. To aim sound directly at the listening area, gently adjust the horn to the desired angle.



8. Using the flat of your hand, insert grille into speaker frame making sure it is securely seated and flush.

Seismic Tab

A seismic tab, located on the back of the speaker, is used as a secondary security point. Some construction codes may require its use. To utilize the seismic tab, run a support wire from a secure point in the ceiling and attach it to the tab. Be sure to consult the construction codes in your area. Klipsch recommends the use of this tab in all installations as a secondary means of support.



IC-6T Transformer tap selectable

I C - 5 T A N D I C - 6 T S P E C I F I C A T I O N S



IC-5T

FREQUENCY RESPONSE	95-20k ± 3dB
CONT. POWER HAND.	75W (34.6V)
CALC MAX CONT. OUTPUT	104dB
SENSITIVITY 2.83 V/1M	83dB
SENSITIVITY 1W/1M	89.5dB
COVERAGE	90 Degrees Conical
DI	8dB
Q	6.3
NOMINAL IMPEDANCE	16 Ohms, 14 Ohm Minimum @180 Hz
DIAMETER	9.563"
CUTOUT DIAMETER	8.25"
DEPTH	9.375"
CAN DEPTH	9.125"
WEIGHT	9 lbs
INSTALLATION KIT	R-650-IK



IC-6T

FREQUENCY RESPONSE	85-20k ± 3dB
CONT. POWER HAND.	75W (34.6V)
CALC MAX CONT. OUTPUT	106dB
SENSITIVITY 2.83 V/1M	84.5dB
SENSITIVITY 1W/1M	91dB
COVERAGE	90 Degrees Conical
DI	8dB
Q	6.3
NOMINAL IMPEDANCE	16 Ohms, 14 Ohm Minimum @ 165 Hz
DIAMETER	11.188"
CUTOUT DIAMETER	9.75"
DEPTH	11.25"
CAN DEPTH	11"
WEIGHT	11 lbs
INSTALLATION KIT	R-800-IK



3502 Woodview Trace, Suite 200 Indianapolis, IN 46268
 137 County Road 278 Hope, AR 71801
 1.800.KLIPSCH • www.klipsch.com

Klipsch Limited Warranty

KLIPSCH, AUDIO TECHNOLOGIES ("KLIPSCH") warrants this product to be free from defects in materials and workmanship (subject to the terms set forth below) for a period of five (5) years from the date of purchase. During the Warranty period, KLIPSCH will repair or replace (at KLIPSCH's option) this product or any defective parts (excluding electronics and amplifiers). For products that have electronics or amplifiers, the Warranty on those parts is for a period of two (2) years from the date of purchase.

To obtain Warranty service, please contact the KLIPSCH authorized dealer from which you purchased this product. If your dealer is not equipped to perform the repair of your KLIPSCH product, it can be returned, freight paid, to KLIPSCH for repair. Please call KLIPSCH at 1-800-KLIPSCH for instructions. You will need to ship this product in either its original packaging or packaging affording an equal degree of protection.

Proof of purchase in the form of a bill of sale or receipted invoice, which is evidence that this product is within the Warranty period, must be presented or included to obtain Warranty service.

This Warranty is invalid if (a) the factory-applied serial number has been altered or removed from this product or (b) this product was not purchased from a KLIPSCH authorized dealer. You may call 1-800-KLIPSCH to confirm that you have an unaltered serial number and/or you purchased from a KLIPSCH authorized dealer.

This Warranty does not cover cosmetic damage or damage due to misuse, abuse, negligence, acts of God, accident, commercial use or modification of, or to any part of, the product. This Warranty does not cover damage due to improper operation, maintenance or installation, or attempted repair by anyone other than KLIPSCH or a KLIPSCH dealer which is authorized to do KLIPSCH warranty work. Any unauthorized repairs will void this Warranty. This Warranty does not cover product sold AS IS or WITH ALL FAULTS.

REPAIRS OR REPLACEMENTS AS PROVIDED UNDER THIS WARRANTY ARE THE EXCLUSIVE REMEDY OF THE CONSUMER. KLIPSCH SHALL NOT BE LIABLE FOR ANY INCIDENTAL OR CONSEQUENTIAL DAMAGES FOR BREACH OF ANY EXPRESS OR IMPLIED WARRANTY ON THIS PRODUCT. EXCEPT TO THE EXTENT PROHIBITED BY LAW, THIS WARRANTY IS EXCLUSIVE AND IN LIEU OF ALL OTHER EXPRESS AND IMPLIED WARRANTIES WHATSOEVER, INCLUDING BUT NOT LIMITED TO, THE WARRANTY OF MERCHANTABILITY AND FITNESS FOR A PRACTICAL PURPOSE.

Some states do not allow the exclusion or limitation of incidental or consequential damages or implied warranties so the above exclusions may not apply to you. This Warranty gives you specific legal rights, and you may have other rights, which vary from state to state.

Cut along dotted line and mail.

For multiple speaker purchases, please fill out only one warranty card.

Name: _____

Street Address: _____

City/State/Zip: _____

Home Phone: _____

Work Phone: _____

E-mail Address: _____

Would you like to receive the latest product updates and news via e-mail? Yes No

Model: IC-5T IC-6T

What store did you purchase your Klipsch products from?

Retail Store On-line at www.klipsch.com Computer Manufacturer

How did you hear about Klipsch? Audio/Home Theater Magazine Other Magazine TV

Radio Newspaper

Trade Show Friend Retail Dealer Direct Mail

Have you purchased Klipsch products before? Yes No

If yes, what products?

Product Name(s): _____

When do you hope to purchase additional loudspeakers? 6 mos. - 1 yr. 1-2 yrs.

How likely are you to consider Klipsch products for your upcoming purchases? Very likely

Somewhat likely Doubtful

If doubtful, why? Don't carry product I'm looking for Too expensive Klipsch dealer too far away

Other

Please tell us about you!

Married Single Student Male Female

Age: 15-17 18-24 25-35 36-45 46-55 55-64 65+

Annual Household Income: Under \$25,000 \$25-35,000 \$35-50,000 \$50-75,000

\$75-100,000 \$100,000+



3502 Woodview Trace, Suite 200
Indianapolis, Indiana 46268
1-800-KLIPSCH • www.klipsch.com

Make sure you return your warranty card so that we may keep you up-to-date on new Klipsch products and promotions. As always, if you have any questions, contact your local authorized Klipsch dealer.

For your records:

IC-5T

IC-6T

Serial No. _____

Serial No. _____

Date Purchased _____

Klipsch Audio Technologies
3502 Woodview Trace, Suite 200
Indianapolis, IN 46268

Place
First Class
Postage
Stamp Here