

# SYNERGY




## SLX OWNER'S MANUAL




# SYNERGY SERIES

## IMPORTANT SAFETY INSTRUCTIONS

1. READ these instructions.
2. KEEP these instructions.
3. HEED all warnings.
4. FOLLOW all instructions.
5. DO NOT use this apparatus near water.
6. CLEAN ONLY with dry cloth.
7. DO NOT block any ventilation openings. Install in accordance with the manufacturer's instructions.
8. DO NOT install near any heat sources such as radiators, heat registers, stoves, or other apparatus (including amplifiers) that produce heat.
9. DO NOT defeat the safety purpose of the polarized or grounding type plug. A polarized plug has two blades with one wider than the other. A grounding type plug has two blades and a third grounding prong. The wider blade or the third prong are provided for your safety. If the provided plug does not fit into your outlet, consult an electrician for replacement of the obsolete outlet.
10. PROTECT the power cord from being walked on or pinched, particularly at plugs, convenience receptacles, and the point where they exit from the apparatus.
11. ONLY USE attachments/accessories specified by the manufacturer.
12. USE only with a cart, stand, tripod, bracket, or table specified by the manufacturer, or sold with the apparatus. When a cart is used, use caution when moving the cart/apparatus combination to avoid injury from tip-over.
13. UNPLUG this apparatus during lightning storms or when unused for long periods of time.
14. REFER all servicing to qualified service personnel. Servicing is required when the apparatus has been damaged in any way, such as power-supply cord or plug is damaged, liquid has been spilled or objects have fallen into the apparatus, the apparatus has been exposed to rain or moisture, does not operate normally, or has been dropped.

 This symbol indicates that there are important operating and maintenance instructions in the literature accompanying this unit.

 This symbol indicates that dangerous voltage constituting a risk of electric shock is present within this unit.

**WARNING:** To reduce the risk of fire or electrical shock, do not expose this apparatus to rain or moisture.



**WARNING:** Voltages in this equipment are hazardous to life. No user-serviceable parts inside. Refer all servicing to qualified service personnel.

**CAUTION:** Changes or modifications not expressly approved by the manufacturer could void the user's authority to operate this device.

## ABOUT YOUR KLIPSCH PURCHASE

Thank you for your purchase of Klipsch speakers. After reading this manual and connecting your system, you will hear the result of over 55 years of stringent engineering and class-leading research and development. Like all Klipsch products, your speakers feature Klipsch Horn-loaded Technology—the guiding design for the first Klipschorn® developed in 1946 and for every product that has followed. Horn-loading allows your speakers to deliver high sensitivity, low distortion, flat frequency response and wide dispersion, which translates to unequalled power, detail and dynamics, the hallmarks of “The Klipsch Sound.” Please be sure to fill out the included Warranty card or register online at [www.klipsch.com](http://www.klipsch.com) so we are better able to serve you. Again, thank you for choosing Klipsch and we hope that your speakers bring life to your music and movies for many years.

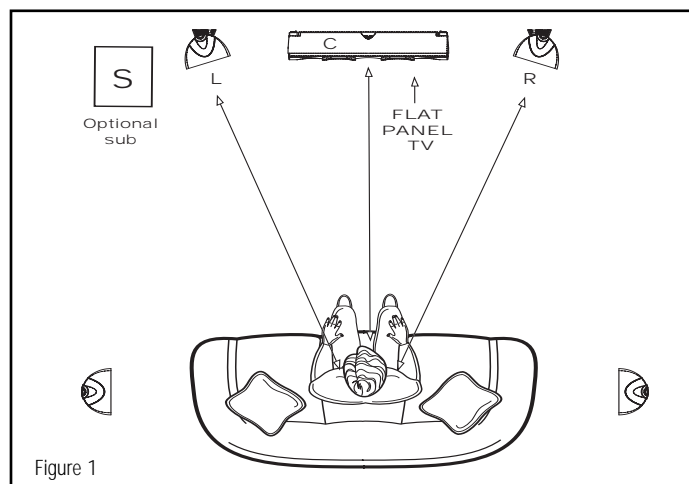
## GRILLE

The speaker can be used with or without its grille in place. The grille attaches magnetically; you can remove the grille easily by pulling it forward and replace it simply by lining up its edges with the those of the speaker cabinet.

The logo badge on the grille can be removed, rotated 90 degrees and replaced for proper orientation when using the SLX in a horizontal position. To remove the logo badge, simply push the two pins on the rear of the logo badge together and push it out of its location on the grille. To reinsert it, align the two pins with the hole in the grille and push the logo badge into place (making sure the orientation of the logo badge is correct).

## PLACEMENT

Your Synergy SLX speakers are designed for maximum flexibility and will perform well in a wide variety of configurations. Figure 1 shows a typical home theater setup, with a center-channel speaker (Synergy SLX) mounted below (or above) a flat panel tv, left and right front speakers (Synergy SLX) flanking the screen, and another pair of speakers (Synergy SLX) to the sides of the listening area for the main surrounds. Below are specific placement recommendations for each function.



**Center-Channel Speaker:** Center the speaker directly above or below your tv and mount it on the wall (see wall mounting instructions). When using the supplied mounting bracket, each Synergy SLX can be rotated 30° (15° in each direction) to obtain optimal directivity toward the listening area.

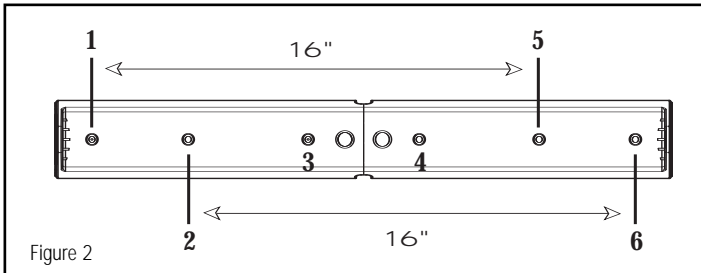
**Front Left and Right Speakers:** The front left and right speakers should be approximately in line with your tv and equidistant from it. The distance from the tv is not critical, though wide separation will tend to make the sound more spacious. Avoid having either speaker closer than 2 feet to a side wall. Place them at seated ear height if that is practical. When using the supplied mounting bracket, each Synergy SLX can be rotated 30° (15° in each direction) to obtain optimal directivity toward the listening area.

**Left and Right Surround Speakers:** Using Synergy SLX's as surround speakers ensures an acoustic and cosmetic match to the front left, right and center speakers. The best location for speakers employed as surround speakers is on or against the walls to the sides of the seating area, anywhere from adjacent to the listening position to about 20° behind it. Mount them above the ear height of seated listeners (5'-7' high) but avoid placing them up against or on the ceiling. Aim them straight across the room or back slightly toward the rear wall for a more diffuse sound or toward the listening position for a more direct sound. The design of the Synergy SLX allows great flexibility and good results can be achieved with configurations that depart significantly from the ideal. When using the supplied mounting bracket, each Synergy SLX can be rotated 30° (15° in each direction).

**Surround Back Speakers:** If your electronics support Dolby Digital EX, THX Surround EX, or DTS-ES 7.1 or 6.1-channel surround, you can place one or two speakers behind the seating area to serve as surround back speakers. As with the left and right surrounds, the optimum location is above seated ear level. If you are using just one back surround speaker, it should be centered behind the listening area; if you are using two, they should be spaced fairly close together. With this type of system, the regular left and right surrounds should be located adjacent to the seating area rather than behind it.

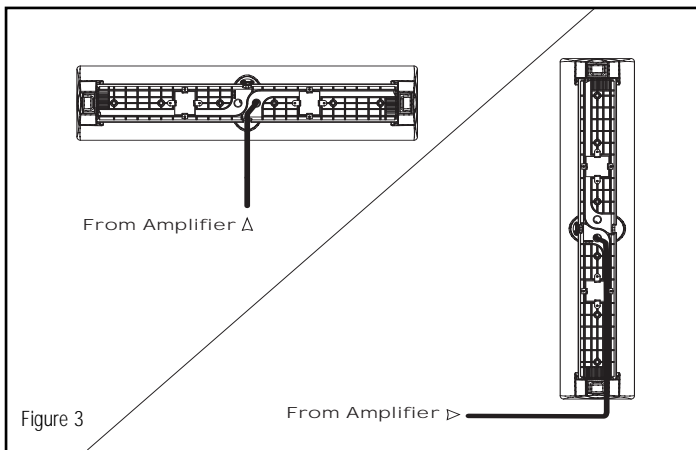
## WALL MOUNTING

Each Synergy SLX speaker can be mounted vertically or horizontally. When mounted vertically, the wall bracket can be aligned with a wall stud (in which case the supplied drywall anchors will not be used) or simply attached to drywall (in which case the supplied dry wall anchors will be used). When mounting the bracket horizontally, one of the two pairs of mounting holes shown in Figure 2 to be 16" apart (holes 1 and 5 or holes 2 and 6) can be aligned with wall studs that are sixteen inches apart. Either of the two pairs can be used. Dry wall anchors and screws should then be used in the remaining four attachment locations. If you do not wish to mount the bracket to wall studs, all six drywall anchors and screws must be used to attach the bracket to the wall.

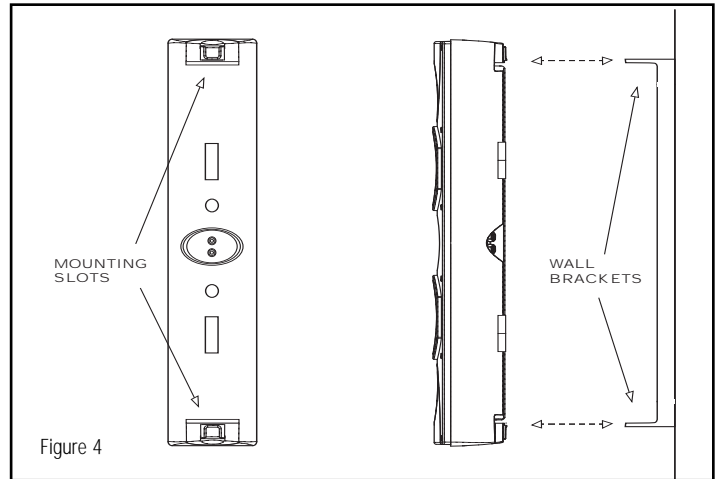


To install the Synergy SLX, follow these instructions:

1. Position the mounting bracket on the wall in the desired location and orientation (vertical or horizontal).
2. Using the mounting bracket as a template, mark the six screw locations taking care to notice the location of wall studs. (Wall studs can be used, if desired, as stated above. However, it is not necessary to attach the SLX bracket to wall studs.) If used in the center channel position, make sure that the bracket is level.
3. Remove the mounting bracket and install the necessary number of supplied drywall anchors into the wall. (Drywall anchors are not necessary in the locations where the screw will attach to a wall stud.)
4. Route speaker wire through the mounting bracket. Wire routing channels are incorporated into the rear of the mounting bracket. Wire can enter at any side of the bracket and will exit in the center of the bracket directly behind the connections on the rear of the SLX as shown in Figure 3.



5. Place the mounting bracket in the desired location and attach it to the wall by driving the supplied screws through the bracket's mounting holes and into the drywall anchors or wall stud(s), making sure not to overtighten the screws.
6. Connect the speaker wire to the SLX's binding posts. See "Speaker to Amplifier: Keeping it Straight" for speaker wiring information.
7. Attach the SLX to the mounting bracket by seating the SLX's mounting slots, located on each end of the back of the SLX, onto the mounting tabs of the bracket as shown in Figure 4. The tabs will "click" into place when the connection is made. Lightly pull forward on the SLX to make sure a solid connection has been made. To remove the SLX from the mounting bracket, depress both buttons at each end of the back of the SLX and pull the speaker off of the mounting bracket. The SLX should slide off easily. DO NOT force it. Make sure both buttons are depressed.



8. Once the SLX is mounted, its angle can be fine tuned to obtain optimal directivity toward the listening area.



**CAUTION:** DO NOT REMOVE THE MAGNETS ON THE REAR OF THE SPEAKER ENCLOSURE.  
**CAUTION:** SYNERGY SLX SPEAKERS ARE NOT INTENDED FOR CEILING MOUNTING.

## CONNECTIONS

Note: Proper connection of your speakers to your amplifier or receiver is vital to obtaining good sound quality. Please follow these directions carefully. Sloppy connections can cause amplifier malfunction or damage.

Klipsch Synergy SLX speakers are wired internally with multiple gauges of high-purity copper wire, carefully selected and wound to ensure optimum signal transfer at all frequencies. You will obtain best performance from your speakers if you connect them to your amplifier or receiver with similar quality wire available from your dealer. We recommend that you use 18-gauge or heavier (lower-gauge) stranded copper wire. Use a lower gauge (heavier) wire for longer runs to reduce the amount of amplifier power lost due to the wire's resistance.

## BUT FIRST: TYPES OF CONNECTORS

**Bare wire** — Pull the two conductors apart for about an inch and strip approximately 1/4" of insulation from the end of each. (A wire stripper will simplify this, but you can use an ordinary pocket knife to cut around and through the insulation down to the wire.) Twist the strands of wire on each individual conductor tightly together. Loosen the nuts on a pair of binding posts until the holes through the metal posts are exposed, then insert the bare wire through the holes. Screw the nuts down finger-tight on the wire. Make sure that no strands of wire are touching from one binding post to the other or to any strands from the other conductor. Failure to observe this precaution at either end of the connection can result in amplifier malfunction or damage.

**Pins** — Many pre-made speaker cables are terminated with metal pins. Loosen the nuts on a pair of binding posts until the holes through the metal posts are exposed, then insert the pins through the holes. Screw the nuts down finger-tight on the pins — do not over-tighten. Make sure that there is no metal-to-metal contact between the two pins or binding posts. Failure to observe this precaution at either end of the connection can result in amplifier malfunction or damage.

**Spade lugs** — Some speaker cables are terminated with U-shaped connectors called spade lugs. Loosen the nuts on a pair of binding posts and slip the spade lugs around the metal posts. Screw the nuts down finger-tight on the lugs and inspect to ensure they have remained firmly in place. Make sure that there is no metal-to-metal contact between the two lugs or binding posts. Failure to observe this precaution at either end of the connection can result in amplifier malfunction or damage.

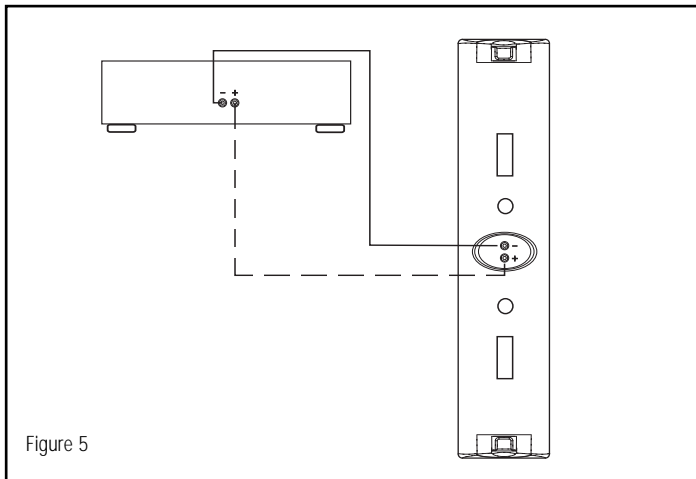
OTHER TYPES OF SPECIALTY CONNECTORS ARE AVAILABLE TO FACILITATE HOOKING UP YOUR SPEAKERS. PLEASE CONSULT YOUR AUTHORIZED KLIPSCH DEALER FOR SUGGESTIONS AND FURTHER DETAILS.

# SYNERGY SERIES

## SPEAKERS TO AMPLIFIER: KEEPING IT STRAIGHT

One of the most important things about hooking up your speakers is keeping them in the same polarity, or phase. If they are connected out of phase, bass and sound localization will be degraded.

The easiest way to ensure that your speakers are wired in phase is to always connect the positive and negative output terminals on your amplifier or receiver to the matching input terminals on your speakers: positive ("+", color-coded red) to positive ("+", color-coded black) to negative. (See Figure 5).



Most pre-terminated speaker cables have color-coded connectors that make it easy to match output and inputs correctly. If yours do not, or if you are making your own out of paired, two-conductor wire, look for identifying marks on the insulation of the two conductors. Normally there will be printing, a stripe or a molded ridge along one of the conductors.

## BASS MANAGEMENT SETTINGS AND SUBWOOFER ADJUSTMENT

Your Synergy SLX's are designed to flawlessly reproduce music and movie soundtracks whether used in conjunction with a dedicated subwoofer or in a simple two channel configuration. However, in high-output situations or if extended low frequencies are a formidable goal of your audio system, the employment of a dedicated subwoofer may be desired.

Digital surround receivers, amplifiers, and processors use what is known as bass management to ensure that low frequencies in the various channels are not sent to speakers that are better suited for mid-range and high-frequency reproduction.

If you use a dedicated subwoofer in your system, you will need to access your receiver or processor's setup menu, employ the high-pass crossover feature for the channels connected to your Synergy SLX speakers and enable the subwoofer output (or LFE channel) for your dedicated subwoofer.

Most bass management systems employ an 80Hz or 100Hz crossover frequency, which is an excellent match to the Synergy SLX's lower limit. If your system offers a choice, we recommend starting with 90Hz. If your subwoofer is connected to a dedicated subwoofer output, begin with its internal crossover adjusted to the lowest possible setting and raise the frequency until the subwoofer output blends well with the low-frequency output of your Synergy SLX speakers (a subwoofer crossover setting between 80Hz and 100Hz should work well).

## CARE AND CLEANING

The only thing you should ever need to do to your speakers is dust them occasionally. Never apply any abrasive or solvent-based cleaner or any harsh detergent. You can clean the grilles with the brush attachment of a vacuum cleaner.

## WARRANTY — U.S. AND CANADA ONLY

The Warranty below is valid only for sales to consumers in the United States or Canada. KLIPSCH, L.L.C. ("KLIPSCH") warrants this product to be free from defects in materials and workmanship (subject to the terms set forth below) for a period of five (5) years from the date of purchase. During the Warranty period, KLIPSCH will repair or replace (at KLIPSCH's option) this product or any defective parts (excluding electronics and amplifiers). For products that have electronics or amplifiers, the Warranty on those parts is for a period of two (2) years from the date of purchase.

To obtain Warranty service, please contact the KLIPSCH authorized dealer from which you purchased this product.

Proof of purchase in the form of a bill of sale or receipted invoice, which is evidence that this product is within the Warranty period, must be presented or included to obtain Warranty service.

This Warranty is invalid if (a) the factory-applied serial number has been altered or removed from this product or (b) this product was not purchased from a KLIPSCH authorized dealer. You may call 1-800-KLIPSCH to confirm that you have an unaltered serial number and/or you purchased from a KLIPSCH authorized dealer.

This Warranty is only valid for the original purchaser and will automatically terminate prior to expiration if this product is sold or otherwise transferred to another party.

This Warranty does not cover cosmetic damage or damage due to misuse, abuse, negligence, acts of God, accident, commercial use or modification of, or to any part of, the product. This Warranty does not cover damage due to improper operation, maintenance or installation, or attempted repair by anyone other than KLIPSCH or a KLIPSCH dealer which is authorized to do KLIPSCH warranty work. Any unauthorized repairs will void this Warranty. This Warranty does not cover product sold AS IS or WITH ALL FAULTS.

REPAIRS OR REPLACEMENTS AS PROVIDED UNDER THIS WARRANTY ARE THE EXCLUSIVE REMEDY OF THE CONSUMER. KLIPSCH SHALL NOT BE LIABLE FOR ANY INCIDENTAL OR CONSEQUENTIAL DAMAGES FOR BREACH OF ANY EXPRESS OR IMPLIED WARRANTY ON THIS PRODUCT. EXCEPT TO THE EXTENT PROHIBITED BY LAW, THIS WARRANTY IS EXCLUSIVE AND IN LIEU OF ALL OTHER EXPRESS AND IMPLIED WARRANTIES WHATSOEVER, INCLUDING BUT NOT LIMITED TO, THE WARRANTY OF MERCHANTABILITY AND FITNESS FOR A PRACTICAL PURPOSE.

Some states do not allow the exclusion or limitation of incidental or consequential damages or implied warranties so the above exclusions may not apply to you. This Warranty gives you specific legal rights, and you may have other rights, which vary from state to state.

## WARRANTY OUTSIDE THE UNITED STATES AND CANADA

The Warranty on this product if it is sold to a consumer outside of the United States or Canada shall comply with applicable law and shall be the sole responsibility of the distributor that supplied this product. To obtain any applicable warranty service, please contact the dealer from which you purchased this product, or the distributor that supplied this product.

SERIAL NUMBER \_\_\_\_\_