

Icon Series Subwoofers

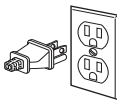
Owner's Manual



Important Safety Information

1. READ these instructions.
2. KEEP these instructions.
3. HEED all warnings.
4. FOLLOW all instructions.
5. DO NOT use this apparatus near water.
6. CLEAN ONLY with dry cloth.
7. DO NOT block any ventilation openings. Install in accordance with the manufacturer's instructions.
8. DO NOT install near any heat sources such as radiators, heat registers, stoves, or other apparatus (including amplifiers) that produce heat.
9. DO NOT defeat the safety purpose of the polarized or grounding type plug. A polarized plug has two blades with one wider than the other. A grounding type plug has two blades and a third grounding prong. The wider blade or the third prong is provided for your safety. If the provided plug does not fit into your outlet, consult an electrician for replacement of the obsolete outlet.
10. PROTECT the power cord from being walked on or pinched, particularly at plugs, convenience receptacles, and the point where they exit from the apparatus.
11. ONLY USE attachments/accessories specified by the manufacturer.
12. USE only with a cart, stand, tripod, bracket, or table specified by the manufacturer, or sold with the apparatus. When a cart is used, use caution when moving the cart/apparatus combination to avoid injury from tip-over.
13. UNPLUG this apparatus during lightning storms or when unused for long periods of time.
14. REFER all servicing to qualified service personnel. Servicing is required when the apparatus has been damaged in any way, such as power-supply cord or plug is damaged, liquid has been spilled, objects have fallen into the apparatus, the apparatus has been exposed to rain or moisture, does not operate normally, or has been dropped.





For Your Safety: The AC power plug is polarized (one blade is wider than the other) and only fits into an AC power outlet one way. If the plug won't go into the outlet completely, turn the plug over and try to insert it the other way. If it still won't fit, contact a qualified electrician to change the outlet, or use a different one. Do not attempt to bypass this safety feature.

15. DO NOT expose this apparatus to dripping or splashing and ensure that no objects filled with liquids, such as vases, are placed on the apparatus.
16. To completely disconnect this apparatus from the AC mains, disconnect the power supply cord plug from the AC receptacle.
17. The mains plug of the power supply cord shall remain readily operable.



The exclamation point, within an equilateral triangle, is intended to alert the user to the presence of important operating and maintenance (servicing) instructions in the literature accompanying the product.



The lightning flash with arrowhead symbol within an equilateral triangle, is intended to alert the user to the presence of uninsulated "dangerous voltage" within the product's enclosure that may be of sufficient magnitude to constitute a risk of electrical shock to persons.


WARNING: To reduce the risk of fire or electrical shock, do not expose this apparatus to rain or moisture.

No naked flame sources - such as candles - should be placed on the product.


CAUTION: Changes or modifications not expressly approved by the manufacturer could void the user's authority to operate.

WARNING: This product is intended to be operated ONLY from the AC Voltages listed on the back panel or included power supply of the product. Operation from voltages other than those indicated may cause irreversible damage to the product and void the products warranty. The use of AC Plug Adapters is cautioned because it can allow the product to be plugged into voltages in which the product was not designed to operate. If the product is equipped with a detachable power cord, use only the type provided with your product or by your local distributor and/or retailer. If you are unsure of the correct operational voltage, please contact your local distributor and/or retailer.

Place the equipment near a main power supply outlet and make sure that you can easily access the power breaker switch.



WARNING
RISK OF ELECTRIC SHOCK.
DO NOT OPEN.



WARNING: Do Not Open! Risk of Electrical Shock. Voltages in this equipment are hazardous to life. No user-serviceable parts inside. Refer all servicing to qualified service personnel.

Inspection

We want your new speaker system to look as good as it did leaving the factory! Please check promptly for any transit damage. Carefully unpack your new speaker system and verify the components against the packing list. In extreme circumstances, items may have become damaged in transit. If any damage is discovered, notify the delivery service and dealer where the system was purchased. Make a request for inspection, and follow their instructions for evaluation. Be sure to keep the product's original shipping carton.

Positioning Your Icon Series Subwoofer

Klipsch powered subwoofers are designed to reproduce deep bass and deliver the impact that makes your movies and music come alive. Typically, optimum performance will result if you place your subwoofer in a corner of the room on the same wall as your front channel speakers (Refer to figures 1 & 2). Please note that room

placement can have a dramatic effect upon the performance of your powered subwoofer. Corner placement, as suggested above, will increase the amount of bass output, while placing the subwoofer along the middle of a wall or out in the room will decrease the amount of bass output. Experiment with a number of different placement options and control settings to find the one that best suits your particular room and taste. When choosing your subwoofer's location, keep in mind that you will need to connect the subwoofer's built-in amplifier to an AC power outlet.

Connections and Controls



Caution! Turn off your subwoofer before making any connections.

"LINE IN" - Accept signals from the Left and Right channel pre-amp, subwoofer or LFE outputs of your electronics. Connect to the "RIGHT" and/or "LEFT/LFE" inputs on the subwoofer's rear panel (Refer to figure 3).

Controls

All of the subwoofer's controls, and changes to control settings, are accessed through the cursor key pad and display on the top of the subwoofer's cabinet. The only exception to this is the main AC power switch which is located on the rear panel of the subwoofer.

- Use the ▲ (UP) or ▼ (Down) key to scroll through the list of control options.
- Use the ◀ (Left) or ▶ (Right) Key to make adjustments to a given control setting.
- Use the Enter Key when the "↶" appears on the display to store and recall custom settings or to lock the keypad.
- After adjusting the individual control parameters for "Volume", "EQ Mode", "Low-pass filter" and "Phase", your settings can be stored in one of three user memories ("Movie", "Music" and "Night"). This allows for global recall of all of the above settings to tailor the subwoofer's performance to compensate for differing source material and uses.
- The display will return to the "Volume" screen after 10 seconds if no adjustments are made while in any other control or display mode.
- In periods of low humidity, it is possible that a static electricity discharge to the subwoofer may cause a momentary interruption in the subwoofers output or changes to the LCD display content. Any display content errors will be corrected when the screen changes modes.

"Volume" - Use the Left/Right cursor keys to adjust the subwoofer's volume level to match the output of your main speakers. The volume control on your system's main amplifier or pre-amplifier will be the overall volume control for your subwoofer and full range speakers. Press and hold (or press and release) the Left cursor key to decrease the subwoofer's volume. Press and hold (or press and release) the Right cursor key to increase the subwoofer's volume to the desired level. From this screen press the down cursor key to access other control settings.

"Recall Settings:" - This screen is used to select any one of three, user defined, memory presets titled "Movie", "Music" and "Night". Use the Left/Right cursor keys to select the desired group of stored control settings and press the enter key to apply them. "Settings

Recalled!" will then be displayed. All of the user settings, in the three memory presets, can be erased and restored to their default values by scrolling down to the last "System Info" screen. Press the Right cursor key twice to get to the "System Reset" screen. Press the center cursor key and all user settings will be replaced with the default settings. "Reset Complete" will be displayed. During initial setup, skip this screen until all other initial control adjustments have been made. From this screen press the down or up cursor key to access other control settings.

"EQ Mode:" - This screen is used to select two different Bass emphasis settings, titled "Punch" and "Depth". They are designed to complement different types of program material, such as movie soundtracks or music. The "Punch" setting emphasizes the 60Hz region while the "Depth" setting boosts the 30Hz range. A third setting is titled "Flat" which defeats these two settings. Use of either of these EQ settings will slightly reduce the subwoofer's maximum output capability as they will require more of the subwoofer's amplifier power. Use the Left/Right cursor keys to select the desired EQ setting. From this screen press the down or up cursor key to access other control settings.

"Lowpass" - This screen is used to adjust the subwoofer's upper frequency limit to achieve a proper blend with your system's main speakers. A higher frequency (Hz) is typically used with smaller, bass limited main speakers and a lower frequency setting is customarily used with larger floorstanding models. This filter can be adjusted from 40Hz to 120Hz, as required, or defeated if the low pass filter function is being performed by your system's electronics. Use the Left/Right cursor keys to adjust the lowpass filter. To defeat this filter press and hold the Right cursor key until "Lowpass OFF LFE Mode" is displayed. Refer to your surround processor's owner's manual for more Bass Management information. From this screen press the down or up cursor key to access other control settings.

"Phase" - This screen is used to adjust the subwoofer's acoustic phase to match that of your main speakers. Use the Left/Right cursor keys to adjust the subwoofer's phase from 0° to 180°. The proper setting of this control is highly dependant on room acoustics and the position of your subwoofer in the room. After setting the volume and lowpass controls set the phase to 0 and listen to a recording with a prominent, repeating bass line in your intended listening position. Repeat this process with the 180° setting and use the setting that yields the greatest amount of bass output. If neither of these settings is better than the other experiment with intermediate settings. From this screen press the down or up cursor key to access other control settings.

"Save Settings:" - This screen is used to store all of the above control settings in one of three memory presets ("Music", "Movie" and "Night"). Use the Left/Right cursor keys to select the desired preset and press the Enter key to store your current control settings. "Settings Saved!" will be displayed. After the settings are stored in memory the display will return to the default "Volume" adjustment screen. From this screen press the up or down cursor key to access other control settings.

"Disp Brightness" - This screen is used to adjust the brightness level of the display screen. Use the Left/Right cursor keys to select from any one of 4 different brightness intensities. From this screen press the down or up cursor key to access other control settings.

“Power:” - This screen is used to select the “Auto On” or the “Always On” power mode for the Subwoofer’s amplifier. Use the Left/Right cursor keys to select between these two modes. When “Auto On” is selected, the subwoofer will automatically turn on when it senses a signal. It will automatically turn off after 20 minutes if no signal is present and “Standby” will be displayed. In the “Always On” setting the subwoofer will remain on as long as the main A/C power switch on the subwoofer’s rear panel is in the “ON” position. From this screen press the down or up cursor key to access other control settings.

“Keypad Lock” - This screen is used to lock the keypad and prevent your settings from being changed by other users. After making all desired adjustments press the Center key to lock the keypad. “Keypad Locked Hold and to unlock” will be displayed. The display will then return to the default “Volume” screen. To unlock the keypad press and hold the Left and Right keys until “Keypad Unlocked” is displayed. The display will again return to the default “Volume” screen. It is suggested that you write down all of your settings for future reference in case the keypad is unlocked and your settings are changed by another user.

For more information on the controls mentioned in this manual and on the bass management settings of your electronics, see your authorized Klipsch dealer or visit www.klipsch.com.

BACK PANEL FEATURES

“POWER” ON/OFF - This is the main A/C power switch for the subwoofer. This switch must be in the “ON” position for the subwoofer to operate and for the “AUTO/ON” feature to function. Set this switch to the “OFF” position if the subwoofer will not be used for an extended period of time (i.e. vacation).

IR SENSOR - An infrared remote control sensor is included on the rear panel of your subwoofer for integration with A/V remote control systems. The IR codes for this subwoofer can be obtained by visiting www.klipsch.com. A dedicated hand held remote control does not exist for these models.

CARE AND CLEANING OF YOUR POWERED SUBWOOFER

Your subwoofer has a durable finish that should only require dry dusting or cleaning with a dry cloth. Avoid the use of abrasive or solvent-based cleaners and harsh detergents. The brush attachment of your vacuum should remove any dust from your subwoofer enclosure and grille fabric.

Warranty – U.S. and Canada

Klipsch warrants to the original retail purchaser that this product is to be free from defective materials and workmanship for a period of two (2) years, from the date of purchase, if it is properly used and maintained. If this product proves defective in either material or workmanship, Klipsch, at its option, will (a) repair the product, or (b) replace the product, at no charge for parts or labor. If the product model is no longer available and cannot be repaired effectively or replaced with an identical model, Klipsch at its sole option may replace the unit with a current model of equal or greater value. In some cases, modification to the mounting surface may be required where a new model is substituted. Klipsch assumes no responsibility or liability for such modification. To obtain a repair or replacement under the terms of this warranty, please contact our customer

service group at 1-800-KLIPSCH. You will be required to submit a copy of the original receipt via fax or email. The receipt must reflect that you are the original purchaser, the product was bought from an authorized Klipsch retailer, and the product is still within warranty. You will be issued a return authorization number (RA#) and asked to ship the defective product, together with proof of purchase and RA#, prepaid insured to the address set forth Klipsch 137 Heampstead #278 Hope, AR 71801. Freight collect shipments will be refused. Risk of loss or damage in transit is to be borne by the purchaser. Once Klipsch receives the defective product, a repair or replacement order will be initiated.

Limitations:

- This limited warranty does not cover failure of the product resulting from improper installation, misuse, abuse, accident, neglect, mishandling, or wear from ordinary use or environmental deterioration.
- This limited warranty does not cover cosmetic damage, including paint damage, or consequential damage to other components or premises which may result for any reason from the failure of the product.
- This limited warranty is null and void for products not used in accordance with Klipsch’s instructions.
- This limited warranty is null and void for products with altered or missing serial numbers and for products not purchased from an authorized dealer.
- This limited warranty terminates if you sell or otherwise transfer this product to another party.

THIS WARRANTY GIVES YOU SPECIFIC LEGAL RIGHTS, AND YOU MAY ALSO HAVE OTHER RIGHTS WHICH VARY FROM STATE TO STATE, JURISDICTION TO JURISDICTION OR COUNTRY TO COUNTRY. KLIPSCH’S RESPONSIBILITY FOR MALFUNCTIONS AND DEFECTS IN HARDWARE IS LIMITED TO REPLACEMENT OR REPAIR AS SET FORTH IN THIS WARRANTY STATEMENT. FOR CANADIAN CUSTOMERS, KLIPSCH DISCLAIMS ALL OTHER WARRANTIES AND CONDITIONS, EXPRESS OR IMPLIED, STATUTORY OR OTHERWISE, FOR THE PRODUCT. FOR U.S. CUSTOMERS, ALL EXPRESS AND IMPLIED WARRANTIES FOR THE PRODUCT, INCLUDING BUT NOT LIMITED TO ANY IMPLIED WARRANTIES OF MERCHANTABILITY AND FITNESS FOR A PARTICULAR PURPOSE ARE LIMITED IN TIME TO THE TERM OF THIS WARRANTY. SOME STATES, JURISDICTIONS OR COUNTRIES DO NOT ALLOW THE EXCLUSION OF CERTAIN IMPLIED WARRANTIES OR CONDITIONS, OR LIMITATIONS ON HOW LONG AN IMPLIED WARRANTY OR CONDITIONS LASTS, SO THIS LIMITATION MAY NOT APPLY TO YOU. KLIPSCH DOES NOT ACCEPT LIABILITY FOR SPECIAL, INDIRECT, CONSEQUENTIAL OR INCIDENTAL DAMAGES, INCLUDING WITHOUT LIMITATION, ANY LIABILITY FOR THIRD PARTY CLAIMS AGAINST YOU FOR DAMAGES OR FOR PRODUCTS NOT BEING AVAILABLE FOR USE. THE MAXIMUM LIABILITY FOR WHICH KLIPSCH MAY BE RESPONSIBLE WILL BE NO MORE THAN THE AMOUNT YOU PAID FOR THE PRODUCT THAT IS THE SUBJECT OF THE CLAIM. SOME STATES, JURISDICTIONS OR COUNTRIES DO NOT ALLOW THE EXCLUSION OR LIMITATION OF SPECIAL, INDIRECT, INCIDENTAL OR CONSEQUENTIAL DAMAGES, SO THE ABOVE LIMITATION OR EXCLUSION MAY NOT APPLY TO YOU.

Warranty Outside the U.S. and Canada

The Warranty on this product if it is sold to a consumer outside of the United States and Canada shall comply with applicable law. To obtain any applicable warranty service, please contact the dealer from which you purchased this product, or the distributor that supplied this product.

Figure 1 - On-Wall Front Speaker Placement

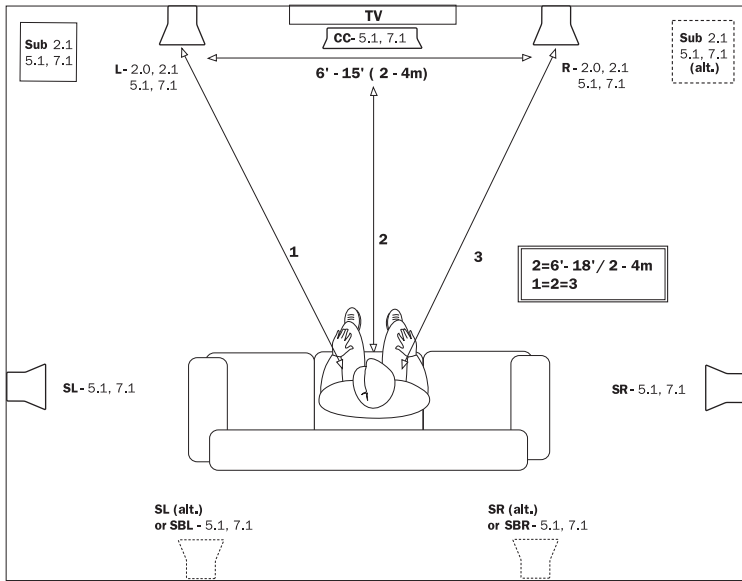


Figure 2 - Traditional Front Speaker Placement

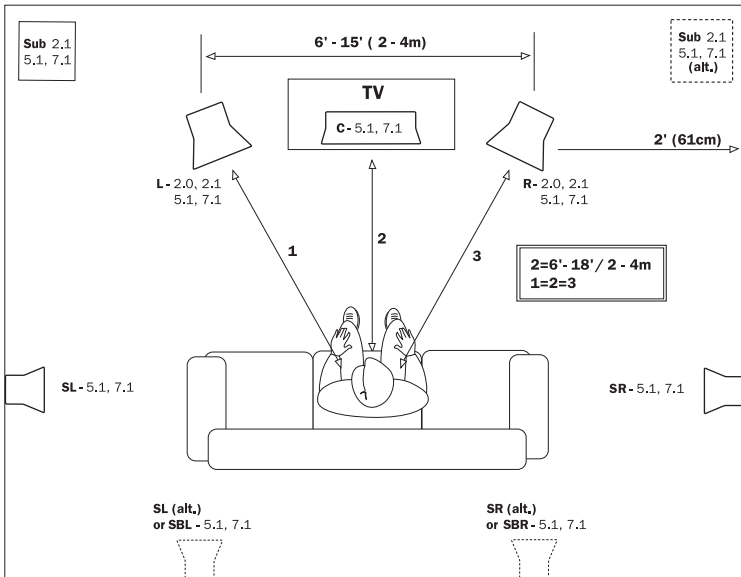
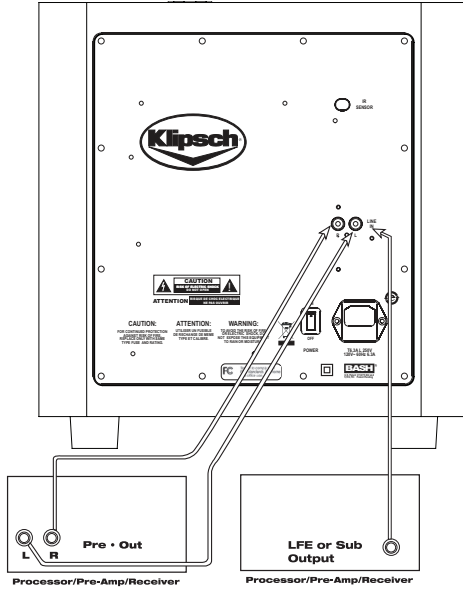
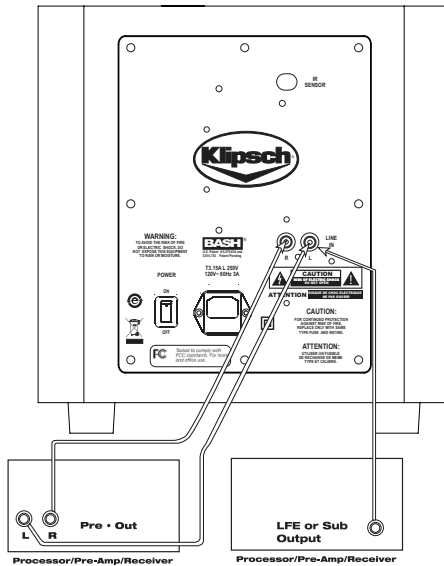


Figure 3 - Line Level Connections

XW-500d



XW-300d





Power

Detail

Emotion

For over 60 years, we've made speakers for people who are as passionate about great sound as we are. That's why every Klipsch speaker is horn-loaded to create a remarkably accurate listening experience for your music and movies. From our smallest satellites to our acclaimed professional theater installations, our speakers deliver sound that's so lifelike, you have to feel it to believe it.

THE ULTIMATE SOUND EXPERIENCE™